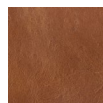


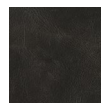
Beaconsfield Chair



Canyon
Whiskey
Leather



Saddle
Brown
Leather



Saddle
Black
Leather

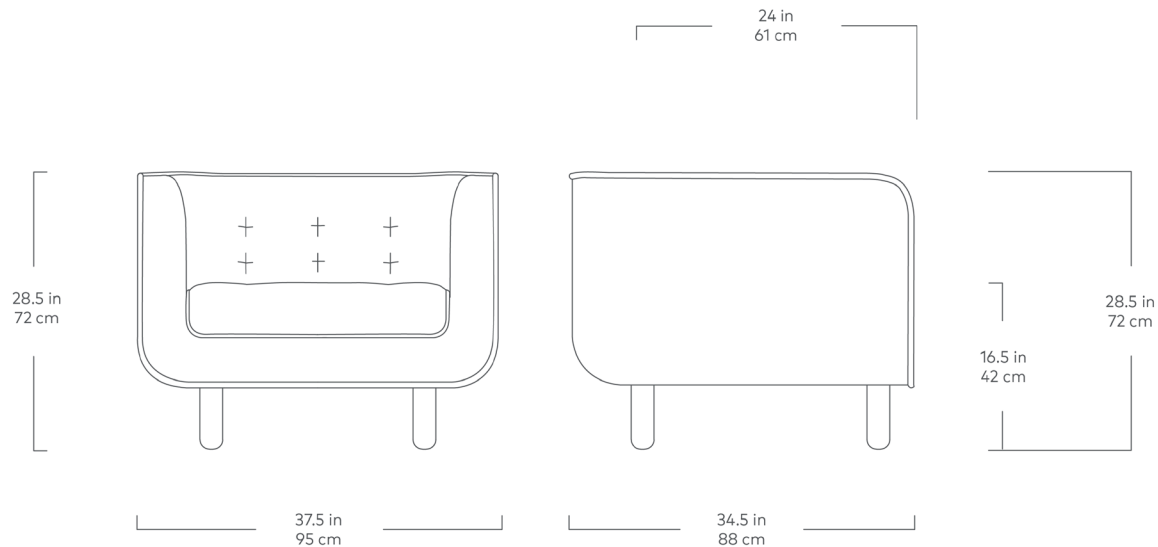
Beaconsfield is a charming club chair with a mature pedigree and modern detailing. Modelled on the classic English chesterfield style - with luxurious blind-tufted leather upholstered on an enveloping, tuxedo-style frame - our interpretation updates the traditional aesthetic with ample curves, subtle stitching and comfortable cushioning. Available in three vintage leathers, chosen for their unique grain characteristics that will age beautifully and develop a rich, natural patina over time. The Beaconsfield is also available as a sofa.

Design Trade Professionals: We aim to keep our designs in stock and ready to ship quickly for projects on a tight timeline. Designs may be customized with COM and alternate finishes (minimum quantities may apply).

Gus*

FOR PRODUCT INFORMATION, SWATCHES + ORDERING: HELLO@RYPEN.COM | 800.560.0554 | WWW.RYPEN.COM

Beaconsfield Chair



- Leather is top grain, aniline dyed.
- Our leathers may have distinct surface characteristics, natural markings, grain pattern and colour variations which differ from hide to hide and from one product to another, making each leather product unique.
- Surfaces scratches and wear marks on leather are normal and to be expected. Over time they will contribute to the unique personality, patina and visual charm of the design. If desired, scratches and wear marks may be minimized with the use of leather conditioner.
- With all leather products, some stretching over time is normal. This "working in" of the leather only adds to the comfort, softness and character of the design.
- Integrated seat cushions are crafted with a high resiliency medium density foam covered in Dacron wrap.
- Blind-tufted detailing on seat, back, and inside arms.
- Delicate piping detail on arms, back and seat cushions.
- Kiln-dried, hardwood inner frame with No-Sag, sinuous spring suspension system.
- Walnut stained wood legs are crafted from solid ash and have non-marking tack glide feet on the bottom of legs to protect hardwood floors.
- All joints have been stress tested.
- Manufactured to comply with California Prop Phase 2 standards.
- Manufactured to meet California TB117-2013 fire safety standards without the use of flame retardant additives in the upholstery foam.
- Part of the Beaconsfield Series, the Chair matches perfectly with the Beaconsfield Sofa.

Gus*



PROFESSIONALS

rypen
STUDIO

Register for Our Exclusive
Project Builder + Ordering Platform

